



GLUON

Graviton

INNOVATIONS



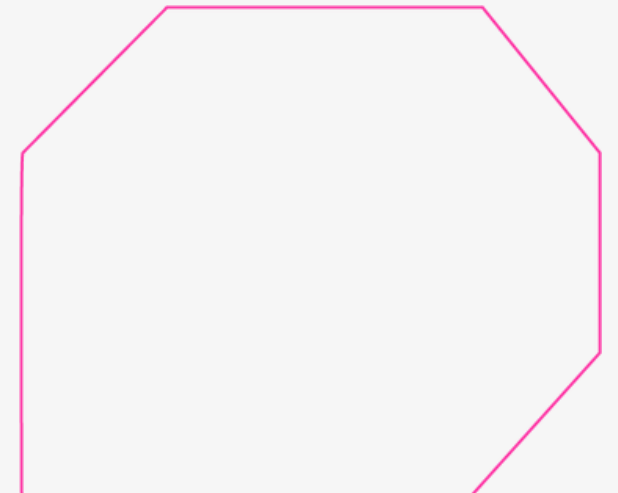


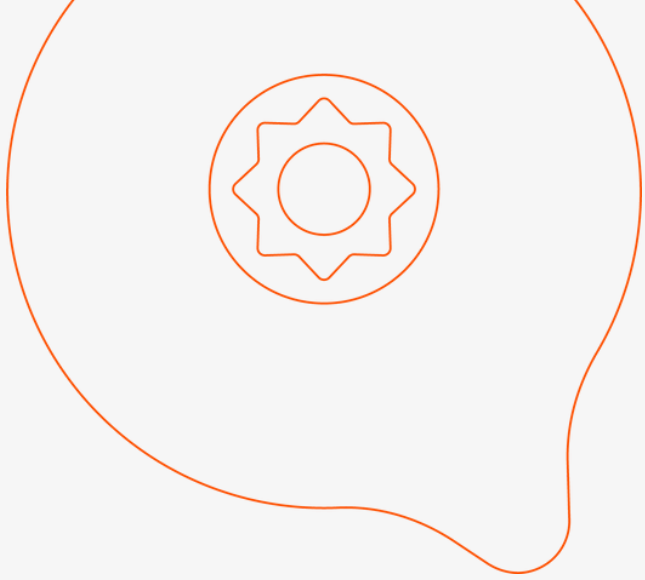
Here for you, and up there, too.

Welcome to the Gravition family! Congratulations with the purchase of your **GLUON**. Before the fun can start, please check:

- Are you a trained professional?
- **Attention:** Only use **GLUON** in combination with the Rock Exotica or CMC - Arizona Vortex. Check the Arizona Vortex manual before use.

Now you're good to go.





Index.

1 Something about us

2 Your **GLUON**

3 Pre-use checks

4 Installation

a. general

b. inner leg

c. outer leg

d. feet

5 Keeping your **GLUON** in shape

6 Warranty

7 Contact



We make your work easier, because we **understand** your world.

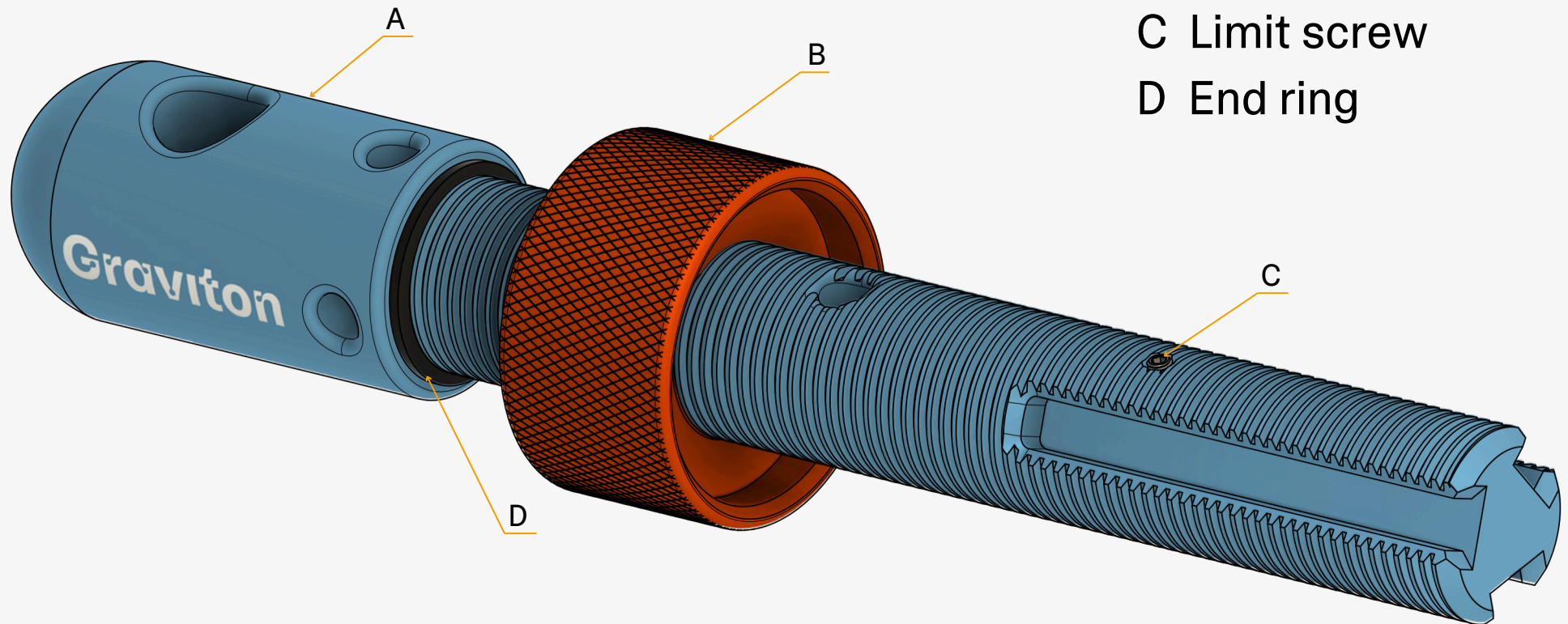
Founded by climbers with field experience, **Graviton** is here to solve problems you didn't even know existed. Our mission is clear: to deliver quality products through **meticulous design** and **advanced engineering**.

As they say, the sky is the beginning. From our first to our latest creations. Graviton is committed to making life easier for those who depend on **solid gear** at serious heights.

Our focus is on **practical solutions** that enhance **safety** and performance in demanding environments, ensuring tangible benefits. We did a damn good job of making our products look good, but always prioritize **quality** and rigorously testing and certifying our products for **reliability**.

Your **GLUON**.

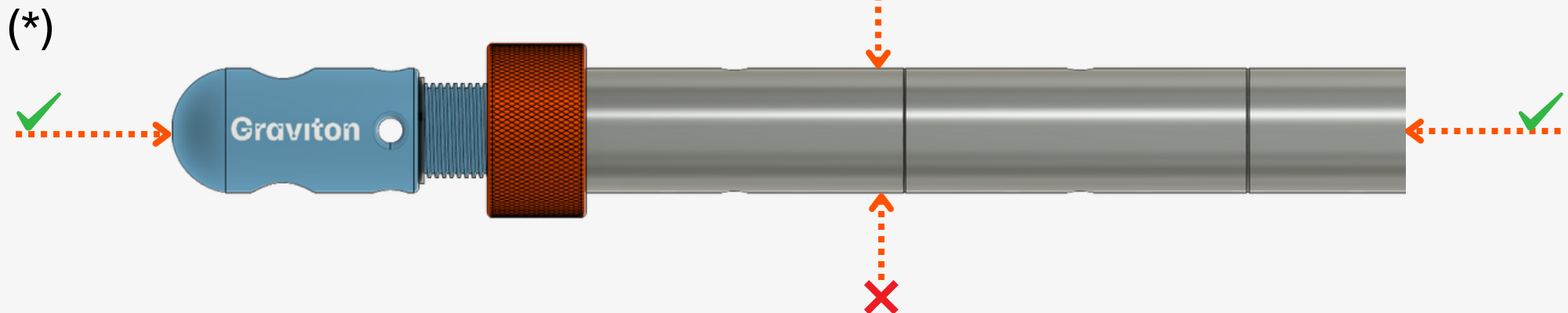
- A Gluon
- B Adjustment ring
- C Limit screw
- D End ring



Pre-use checks.

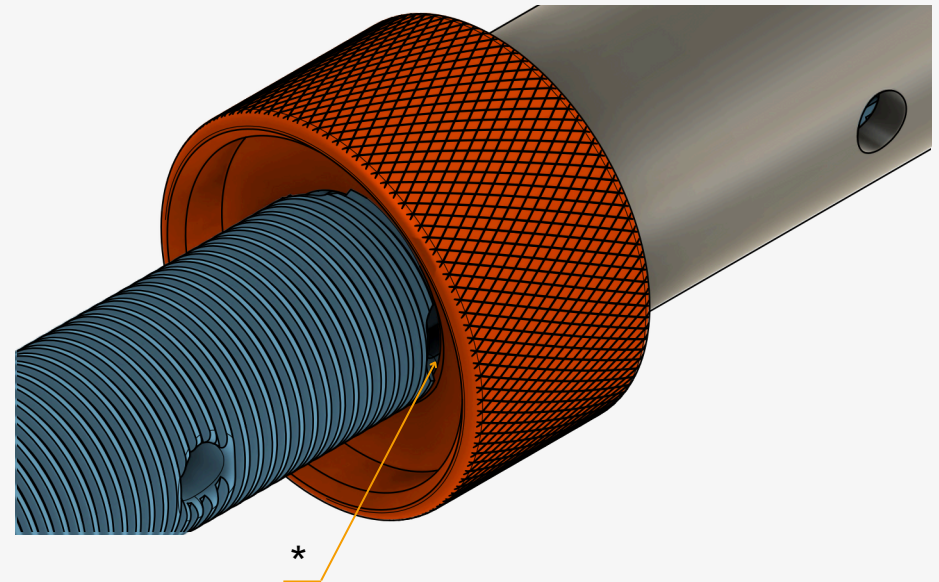
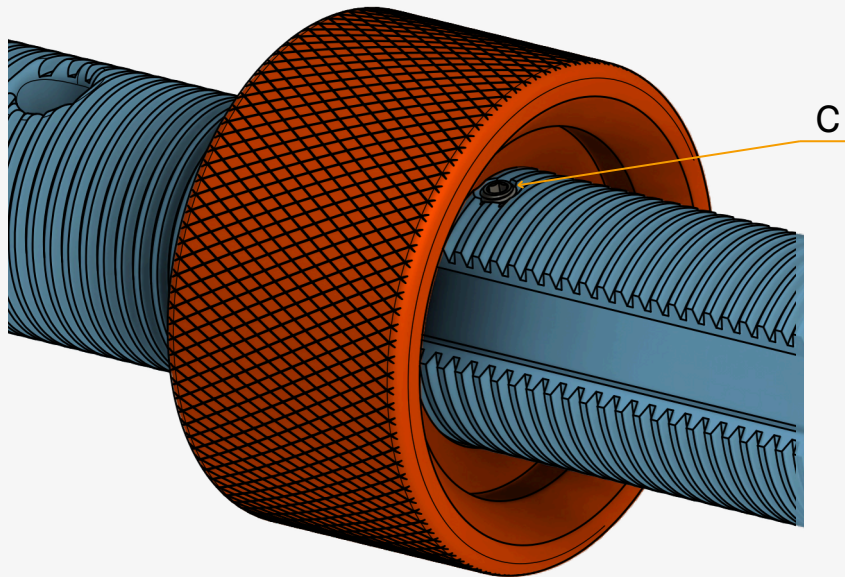
Always check:

- That there are no cracks, deformations and possible damages.
- Ensure the adjustment ring rotates smoothly and that there is no sand or debris in the threads.
- Just like the Arizona Vortex the Gluon is designed for compression forces. Avoid any setups that may create bending forces on the Vortex or Gluon (*).
- Hand-tightening a clean, unlubricated Gluon can generate approximately 1.2 kN of compression.



Installation **general.**

- Always use the limit screw(C) to prevent over-extending the Gluon. When the slots in the Gluon are visible underneath the adjustment ring(*), you are approaching the maximum extension, and you should stop.



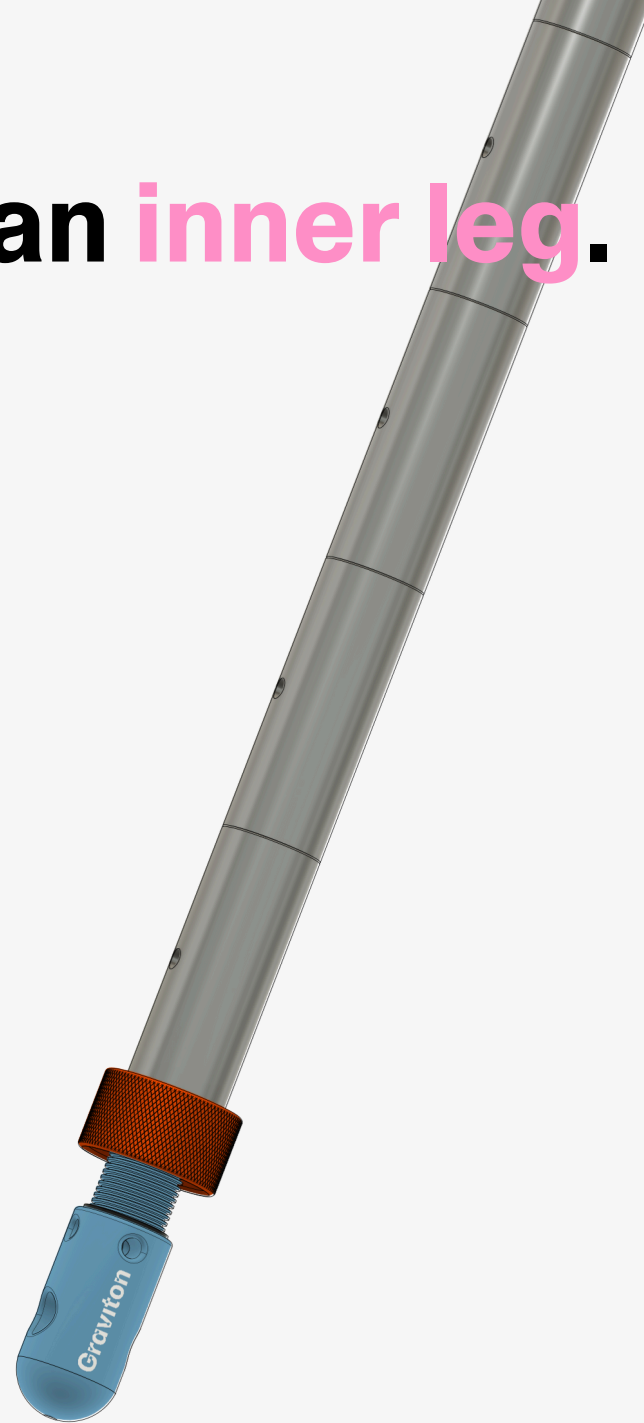
Installation **general.**

- To change the orientation of the adjustment ring: Fully insert the limit screw. Unscrew, flip and screw the adjustment ring back on the Gluon. Extend the limit screw so it sits flush with the threads and prevents the adjustment ring from passing.
- When using the Gluon adjustable between two parts, these parts are not fixed to each other. Be aware of potential risks, such as falling parts when moving your setup.

Installation with an inner leg.

Using the Gluon with an inner leg makes it adjustable, providing even more possibilities with your Vortex.

Ensure the orientation of the adjustment ring is correct. The side marked “Inner Leg” should face the side of the inner leg.



Installation with an **outer leg**.

When using the Gluon on the small diameter side of the outer leg, follow the instruction for the inner leg.

Ensure the orientation of the adjustment ring is correct. The side marked “**Inner Leg**” should face the small diameter side of the **outer leg**.



Installation with an outer leg.

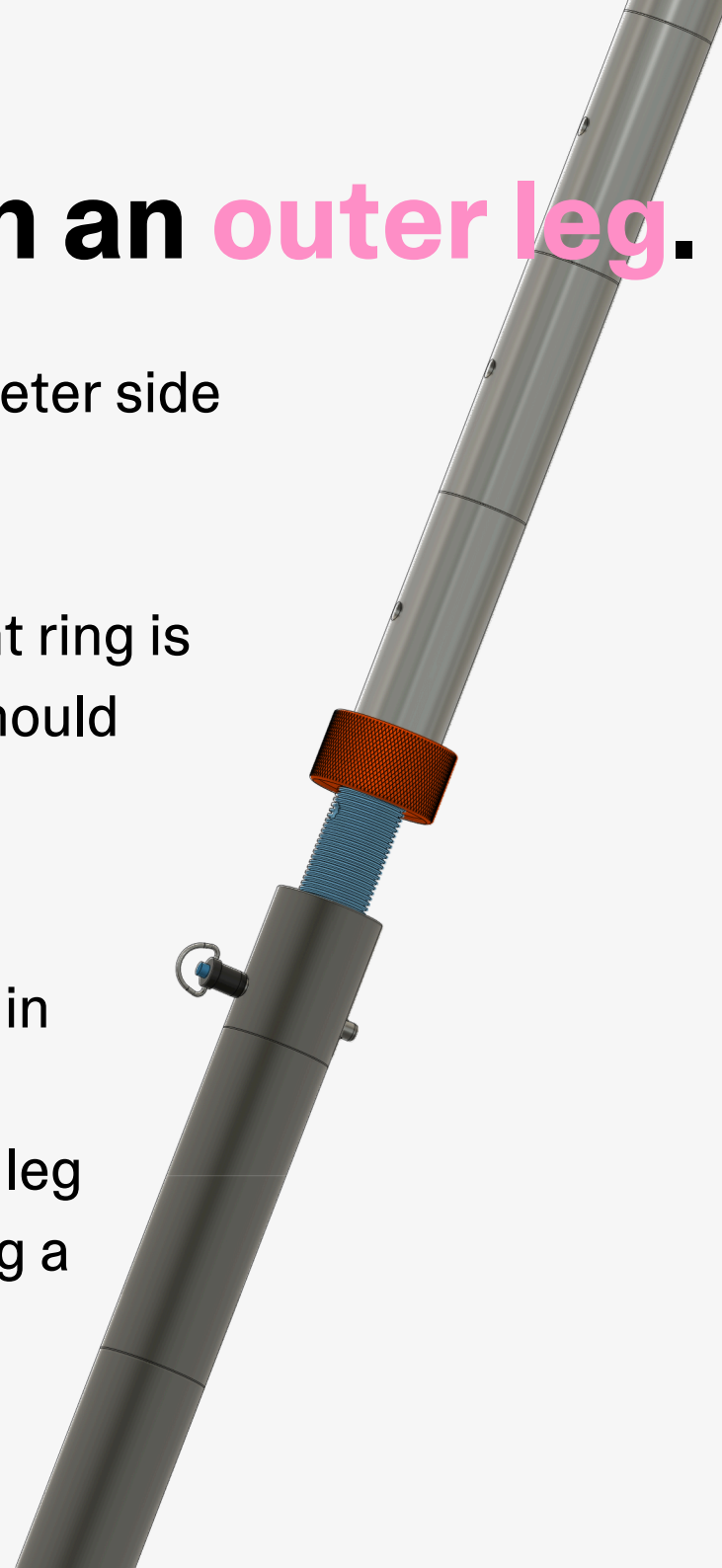
You can use the Gluon in the large diameter side of the outer leg in two orientations

Ensure the orientation of the adjustment ring is correct. The side marked “outer Leg” should face the side of the outer leg.

1/2

Insert the **unthreaded** side of the Gluon in the outer leg to create an adjustable connection between an inner and outer leg

- **Lock** the Gluon to the outer leg using a Vortex quick pin



Installation with an outer leg.

2/2

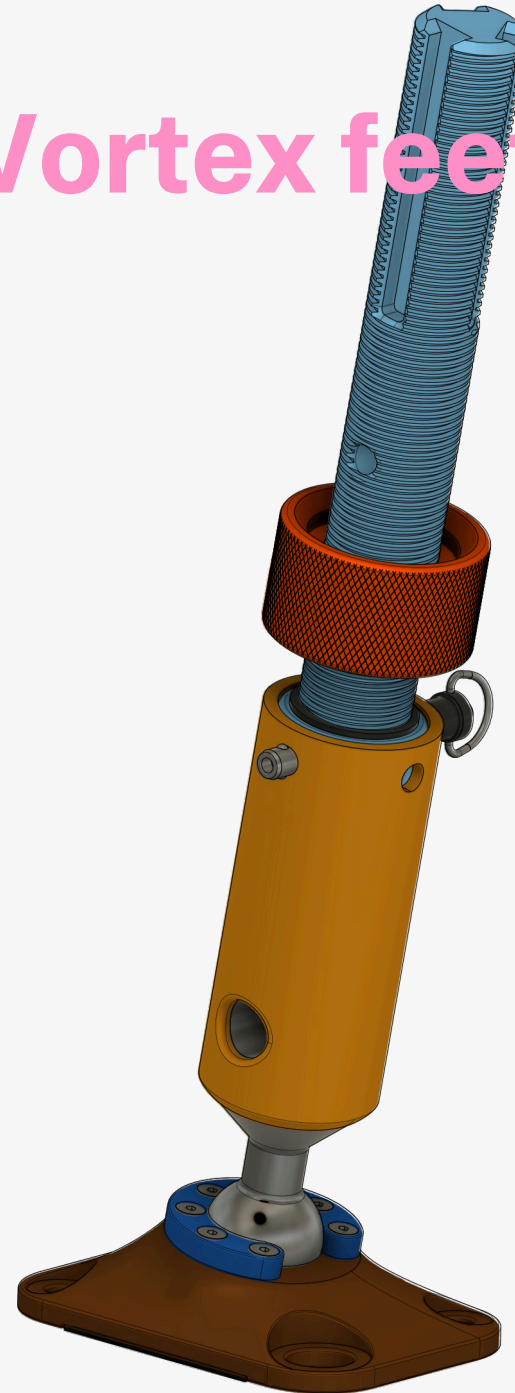
Insert the **threaded** side to connect a Vortex foot, or use the Gluon as a round foot (5):

- This is a fixed non adjustable setup
- **Lock** the Gluon to the outer leg using a vortex quick pin
- Add some pretension by extending the adjustment ring until there is no more play between the outer leg and Gluon

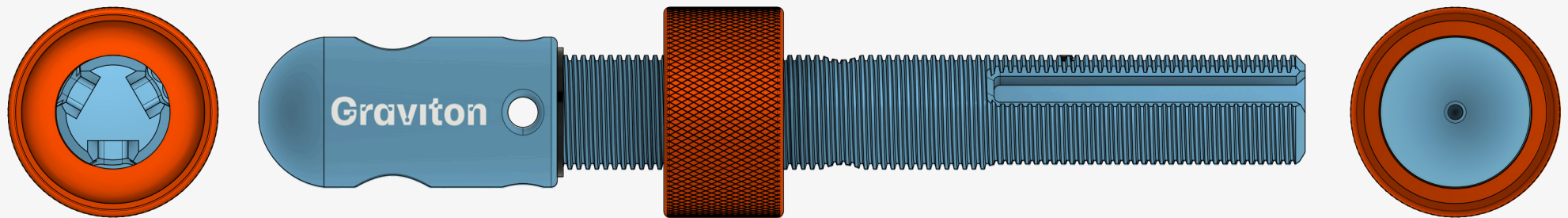


Installation with Vortex feet.

- The Gluon can be used with all Vortex feet.
- Always **lock** the Gluon to the feet using a Vortex quick pin.
- The large round side of the Gluon can be used as a foot by itself. Be aware of the risk of damaging the Gluon when using it as a foot on hard or rough surfaces.



Keeping your **GLUON** in shape.



GLUON loves to stay **clean** and feel seen, so always **visually** inspect him before use. Make sure there are **no cracks** or **deformations**. The adjustment ring should rotate smoothly.

Have him checked at least once every 12 months by a competent person (approved by the manufacturer).

Warranty.

At Graviton, we stand by our products with pride and assurance. The **GLUON** is covered under our comprehensive warranty as outlined in the general conditions of sale. Here's what you need to know:

Should your **GLUON** prove defective or encounter any issues during the warranty period, we've got you covered. Our commitment is to repair or replace any faulty components after a thorough inspection by our team.

Important Considerations:

- **Modifications:** Any modifications made by the user without prior written authorization from Graviton will void the warranty. Such unauthorized changes release Graviton from any liability for damages caused by the defective product.
- **Spare Parts:** Using non-original spare parts or those not explicitly specified by Graviton will also void the warranty and release us from liability.

For these reasons, we strongly advise all customers to contact Graviton technical support for any assistance or when in doubt.

Please read the instructions in this manual carefully and follow all guidelines before using your **GLUON**. This ensures optimal performance and helps maintain the integrity of your warranty.



Graviton



Contact.

Contact

+31-(0)85 – 1301 789

sales@gravitoninnovations.com

Postal address

PO Box 125 - 5490 AC

Sint-Oedenrode

The Netherlands

